

VICTORIO

ICE SHAVER

VKPI 144



Instruction Manual

Table of Contents

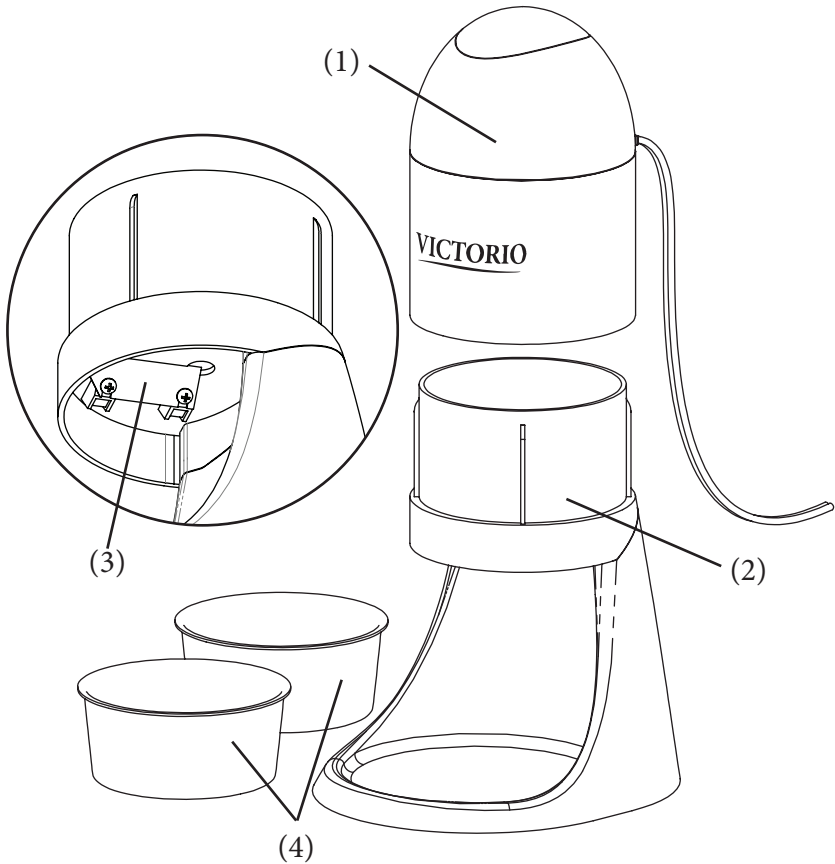
Parts Diagram.....	1
Safety Instructions	2
Operating Precautions.....	3
Product Overview.....	3
Product Specifications.....	3
Care Instructions.....	4
Use Instructions	4
Helpful Tips.....	5
Warranty/Contact Info	Back Cover

*For the most up-to-date manual, or for more information regarding this product, visit our website: **www.Victorio.info**.

Victorio Ice Shaver Model VKP1144

Parts Diagram:

Your complete Ice Shaver includes everything shown below:



Parts List:

- (1) Electric Motor Unit- Not Sold Separately
- (2) Ice Shaver Base - Not Sold Separately
- (3) VKP1144-1 - Stainless Steel Blade
- (4) VKP1144-2 - Ice Mold

IMPORTANT SAFETY INSTRUCTIONS

WARNING! - Failure to follow these safety instructions correctly will lead to a risk of fire, electric shock or personal injury.

SAVE THESE INSTRUCTIONS

When using electric appliances, basic precautions should always be followed, including the following:

- **Read and follow all instructions before operating the motor.**
- Do not operate if the cord or plug is damaged, or after the appliance malfunctions, or is dropped or damaged in any way. Return the appliance to the manufacturer for examination, repair, or electrical or mechanical adjustment.
- Do not disassemble. The motor must be serviced by qualified technicians only.
- To disconnect the motor, release the top switch, then remove the plug from the outlet.
- Do not unplug by pulling on the cord. To unplug, grasp the plug, not the cord.
- Do not leave the motor plugged in when not in use and before servicing or cleaning.
- Do not use the motor unit on anything other than ice.
- To reduce the risk of electric shock, do not immerse the motor in water or other liquid. Do not place or store the motor where it can fall or be pulled into a tub or sink.
- Not for use by or near children.
- Do not contact any moving parts and keep all hair, clothing and any other objects away from the motor while in use.
- Make sure the motor is placed on top of the ice shaver base properly before operating.
- Do not use outdoors.
- This appliance is for household use only.

Operating Precautions

Read and follow ALL instructions and warnings before operating your Ice Shaver for the first time. If certain precautions are not taken, damage to the Ice Shaver and/or personal injury could result.

- Never put any foreign objects into the Ice Shaver. Small rocks or pieces of metal could damage the blade and motor.
- Never put fingers near the shaving blade.
- Do not set the Ice Shaver near or on stove tops, sinks or tubs.
- Never operate the Ice Shaver if any parts are missing or damaged.
- **Do not clean any part of the Ice Shaver in a dishwasher.**
- **Do not immerse the top motor unit in water.**
- Not intended for use by children.
- For household use only.

Product Overview

Congratulations on your purchase of the Victorio Ice Shaver! It will be a very valuable tool in your kitchen. Create soft, fluffy shaved ice for beverages, food platters and desserts of any kind. You'll find shaved ice to be a very versatile ingredient. The procedure is simple and you'll love how fast it is.

Caring well for your Ice Shaver will help it last, so be sure to read through all the instructions contained in this manual before using it for the first time.

Product Specifications

The Ice Shaver comes with a stainless steel shaving blade that is replaceable. The ice molds are made of a polyethylene plastic material that is food safe and recyclable. The motor specifications are as follows:

- 120V
- 60Hz
- 55W

Care Instructions

To ensure your Ice Shaver works properly at all times, please follow the care and handling instructions below:

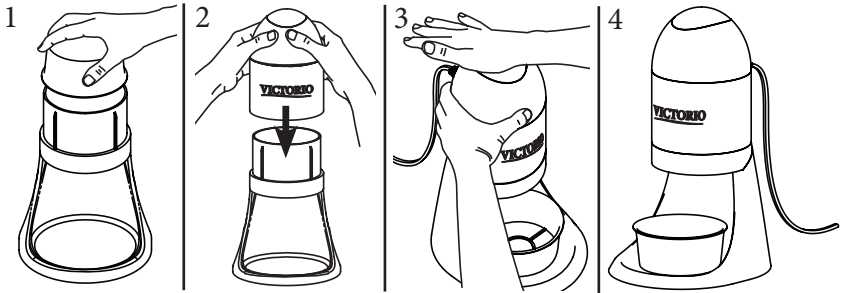
1. Before using your Ice Shaver wash all ice molds in warm, soapy water and wipe down the base with a damp cloth. This removes any residue left over from manufacturing and packaging.
2. **Use caution near the shaving blade, as it is very sharp and could cause serious injury.**
3. Follow the steps above after each subsequent use, and before storage.
4. Never place any part of the Ice Shaver in the dishwasher.

Use Instructions

Follow steps 1-10 when using ice molds. Follow steps 4-10 when using ice cubes.

1. Fill the ice mold with water until it is 1/4" from the top.
2. Place the mold on a flat shelf in your freezer, so the water freezes as level as possible. This will help during the shaving process.
3. Once the water has frozen, turn the ice mold upside down on the top of the Ice Shaver base (see diagram 1). If it doesn't readily fall out, run the outside of the mold under warm water until the ice block releases from the plastic.
4. **When using ice cubes, do not overfill the ice chamber.** Leave at least 1/2" space between the ice and the top of the chamber.
5. Place the motor unit gently on top of the Ice shaver base (see diagram 2). Center the motor and hold it in place firmly with one hand while pressing down on the top switch with the other hand (see diagram 3).
6. It is normal for the motor to move slightly in your hands as the ice is shaved. When using ice cubes it will move even more. In either case, keep the motor centered on the base while in use.
7. As you press down, the ice will continue to be shaved, until you release the switch, or the motor unit reaches the bottom.
8. There will be a thin disk of ice remaining (when using the ice molds) in the bottom of the ice chamber when the motor is done shaving. This is intentional in order to protect the motor from the shaving blade. If ice cubes are used, there will be small pieces of ice left in the bottom instead.

9. Be sure to have a bowl ready to catch the shaved ice (see diagram 4).
10. For storage, clean all parts of the Ice Shaver as recommended in the “Care Instructions” on p. 4. Place the unit in the original product packaging and store in a cool, dry area, away from direct sunlight, moisture and extreme temperatures.



Helpful Tips

- Use fruit syrups on shaved ice to make homemade snow cones and slushes.
- For a healthy frozen treat, freeze 100% juice in the ice molds or ice cube trays. Frozen juice shaves easier than regular ice and produces a soft fluffy snow cone, free of artificial sweeteners.
- Use shaved ice to keep vegetable, fruit and seafood platters cold while entertaining guests.
- For crystal clear ice, freeze distilled water in the ice molds or ice cube trays instead of tap water.
- Use ice cubes when you want coarsely shaved ice.
- Use the ice molds when you want fine, fluffy shaved ice.

Product Warranty

Model VKP1144 - Ice Shaver Warranty: 1 year

We are confident in the quality of our products and back each one with a limited warranty for the length of time specified above. Should you experience any problems with your product, please contact our Customer Service Department.

All warranty claims must be accompanied by a proof of purchase and are only valid if the appliance has been operated within the U.S. or Canada and used for its intended purposes. These products are for household use only.

Items Not Covered:

- Return shipping costs or returned items lost in transit.
- Damages to the product due to accident, misuse, abuse, negligence, or if the appliance has been altered in any way.
- Products used outside of the United States or Canada.

Victorio Kitchen Products

1804 Sandhill Rd
Orem UT, 84058

By Phone: **866-257-4741**
By Email: Help@Victorio.info

www.Victorio.info