



AVALANCHE™

Instruction Manual



Table of Contents

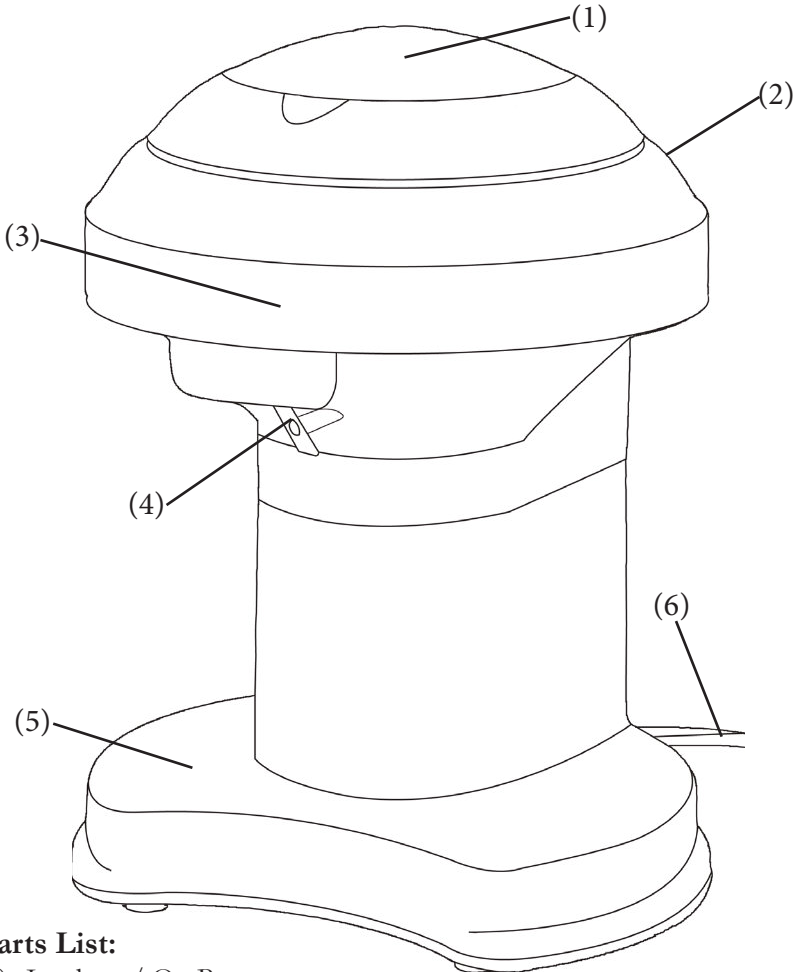
Parts Diagram.....	3
Warning.....	4
Operating Precautions.....	4
Accessories.....	4
Using Your Ice Shaver.....	5
Adjusting the Blade:.....	6
Cool & Easy Treats.....	7
Snow Cones.....	7
Slushes.....	7
Ice Cream Slush.....	7
Soft Drink Slush.....	7
Fruit Juice Slush.....	7
Other Shaved Ice Uses.....	7
Product Warranty.....	8

*For the most up-to-date manual, or for more information regarding this product, visit our website: **VKPbrands.com**

Avalanche Electric Ice Shaver Model VKP1100

Parts Diagram

Your complete Ice Shaver includes everything shown below:



Parts List:

- (1) Ice door / On Button
- (2) Top Removal Latch (back)
- (3) Ice Hopper
- (4) Blade
- (5) Base
- (6) Cord

Motor specifications: 120 VAC, 50/60 Hz, 20 Watts.

All replacement parts are available on our website, VKPbrands.com.

Warning

- To prevent personal injury or property damage, read and follow all instructions and warnings.
- Do not use appliance for other than intended use.
- Do not operate if the appliance is not working properly or if it has been damaged in any manner. For service information see warranty page.
- Do not leave unit unattended while plugged into an electrical outlet.
- For household use only.
- Never immerse the motor base in water.

Operating Precautions

- Blade is sharp. Use extreme caution during assembly, while operating, disassembly, and cleaning.
- Close supervision is required when ice shaver is used by or near children.
- Never place fingers or other utensils into the feed or discharge areas.
- Always check ice hopper for presence of foreign objects before using.
- Use only ice cubes made from clean water.

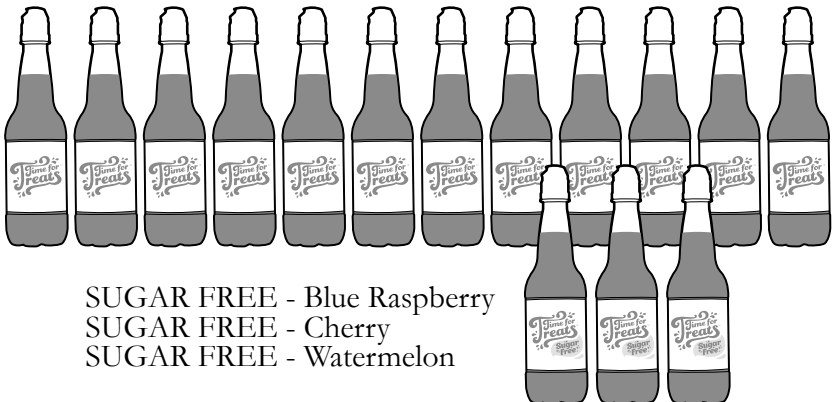
Accessories

Make shaved ice even more fun by using Time for Treats Premium Syrups. To purchase visit our website, VKPbrands.com Syrup flavors include:

Blue Raspberry
Cherry
Grape
Lime

Orange Cream
Piña Colada
Red Raspberry
Root Beer

Tigers Blood
Tropical Punch
Vanilla Cream
Watermelon



Using Your Ice Shaver

CAUTION: Your Avalanche Ice Shaver has a sharp, stainless steel blade that can cut and cause serious injury. Keep fingers clear from blades and avoid contact at all times when using and cleaning.

Before using for the first time, and following periods of prolonged storage, remove the top cover by pressing the latch on the back and lifting the top cover forward. Wash in warm, soapy water, rinse and dry. Do not put in a dishwasher.

Use a damp cloth to wipe down the inside and outside of the ice hopper and motor base. **USE EXTREME CAUTION AS BLADE IS VERY SHARP. DO NOT POUR WATER INTO ICE HOPPER!**

When assembling, dismantling, or cleaning, always ensure that the appliance is not connected to the power supply.

To make fluffy shave ice style snow, the quality of ice is very important. Ice should be firm and directly from the freezer with no liquid water on it. Wet ice will produce a wet slush output, not snow. For best results keep ice in a freezer until immediately before shaving.

- Lift open Ice Door and place ice cubes into ice hopper. Tip: Shaves ice faster when ice hopper is full.
- Connect power cord to outlet.
- Place container of your choice underneath the blade to catch ice as it is shaved.
- Close Ice Door and press down in center of Ice Door.
- Ice will begin shaving into container, stop pressing down when the desired amount is reached.
- Add your favorite Time for Treats Premium Syrup, soft drink, or fresh fruit to the shaved ice and enjoy.
- Unplug from power supply immediately after use.
- After shaving, there will always be a small amount of ice remaining in the Ice Hopper. Remove lid by pressing down the white button marked “PUSH” on the back of the Ice Shaver while lifting lid up and toward the front. The ice should be discarded and the Ice Shaver dried with a soft cloth.

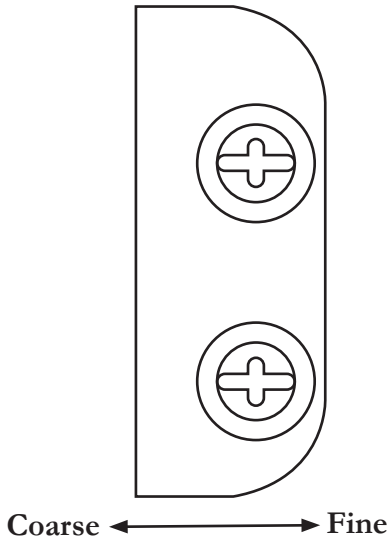
Adjusting the Blade:

WARNING: Use Extreme Caution When Adjusting Blade!

The blade on your Ice Shaver can be adjusted to produce a more fine or coarse output (if desired). A small adjustment of the blade can make a big difference.

1. Before adjusting the blade, make sure the unit is unplugged from the power supply.
2. Loosen the screws attaching the blade by 1/4 turn.
3. Adjustments should be made by moving the blade 1 millimeter per adjustment.
4. Move the blade away from the shaving chamber for a finer shave or towards the shaving chamber for a more coarse shave.
5. Retighten screws.
6. Test unit after adjustment. It may take a few tries to get the desired result.

SHAVING BLADE



Cool & Easy Treats

Snow Cones

Shave ice directly into cups. Mound tops with additional “snow” if desired. Dispense your favorite Time for Treats Syrup directly on top of the shaved ice. Combine different syrups to create your own unique flavors. Because the shaved is so snowy fine, it absorbs the flavored syrup instead of running to the bottom. This give you a truly intense flavor sensation, all the way through!

Slushes

Place shaved ice into serving cups or glasses. Add just enough Syrup to totally absorb into the shaved ice. Try one of the following variations for a delicious, cool, and refreshing treat. Garnish with sliced or diced fruit.

Rainbow Slush

A colorful and fun treat. Place a layer of shaved ice in the bottom of a tall, parfait-style glass; add flavoring. Add a middle layer of ice; add a different flavoring. Add a top layer of ice and another flavoring. Garnish with fruit or paper umbrella. A great party treat!

Ice Cream Slush

Place a scoop of vanilla ice cream in the bottom of a glass. Shave ice into glass, covering the ice cream. Add your favorite flavor of syrup on top for a creamy, refreshing treat.

Soft Drink Slush

Use your favorite variety of soda such as cola, root beer, and fruit flavors. Add a twist of lemon or lime for an added burst of flavor.

Fruit Juice Slush

Natural flavorings are both tasty and good for you. Try apple, grape, orange, grapefruit, or cranberry juices. Or try a combination for a special treat.

Other Shaved Ice Uses

- Shaved ice is a great base when used in other blended drinks and smoothies.
- Combine with fruit, yogurt, or juices for great tasting and healthy treats.
- Fresh shaved ice makes a great ice bed for fruit trays or seafood appetizers, such as shrimp cocktail.

Product Warranty

Register your warranty online at:
VKPbrands.com/Warranty

Model VKP1100 - Avalanche Electric Ice Shaver: 1 years

We are confident in the quality of our products and back each one with a limited warranty for the length of time specified above. Should you experience any problems with your product, please contact our Customer Service Department.

All warranty claims must be accompanied by a proof of purchase and are only valid if the appliance has been operated within the U.S. or Canada and used for its intended purposes. These products are for household use only.

Items Not Covered:

- Return shipping costs or returned items lost in transit.
- Damages to the product due to accident, misuse, abuse, negligence, or if the appliance has been altered in any way.
- Products used outside of the United States or Canada.

VKP™

B R A N D S

1804 Sandhill Rd

Orem UT, 84058

Phone: **866-257-4741**

VKPbrands.com

Time For Treats is a trademark of VKP Brands
© Copyright 2021 VKP Brands, all rights reserved